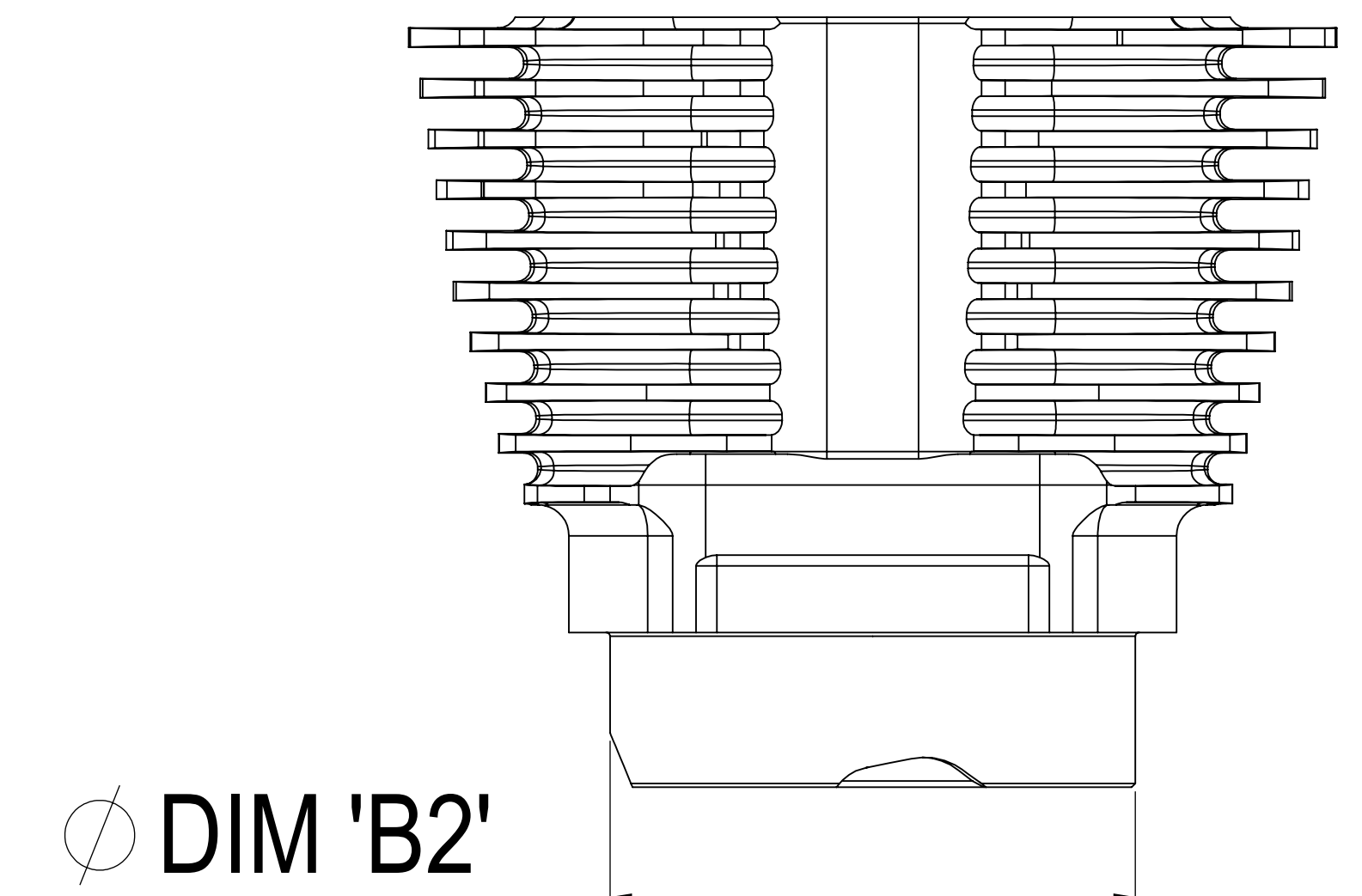
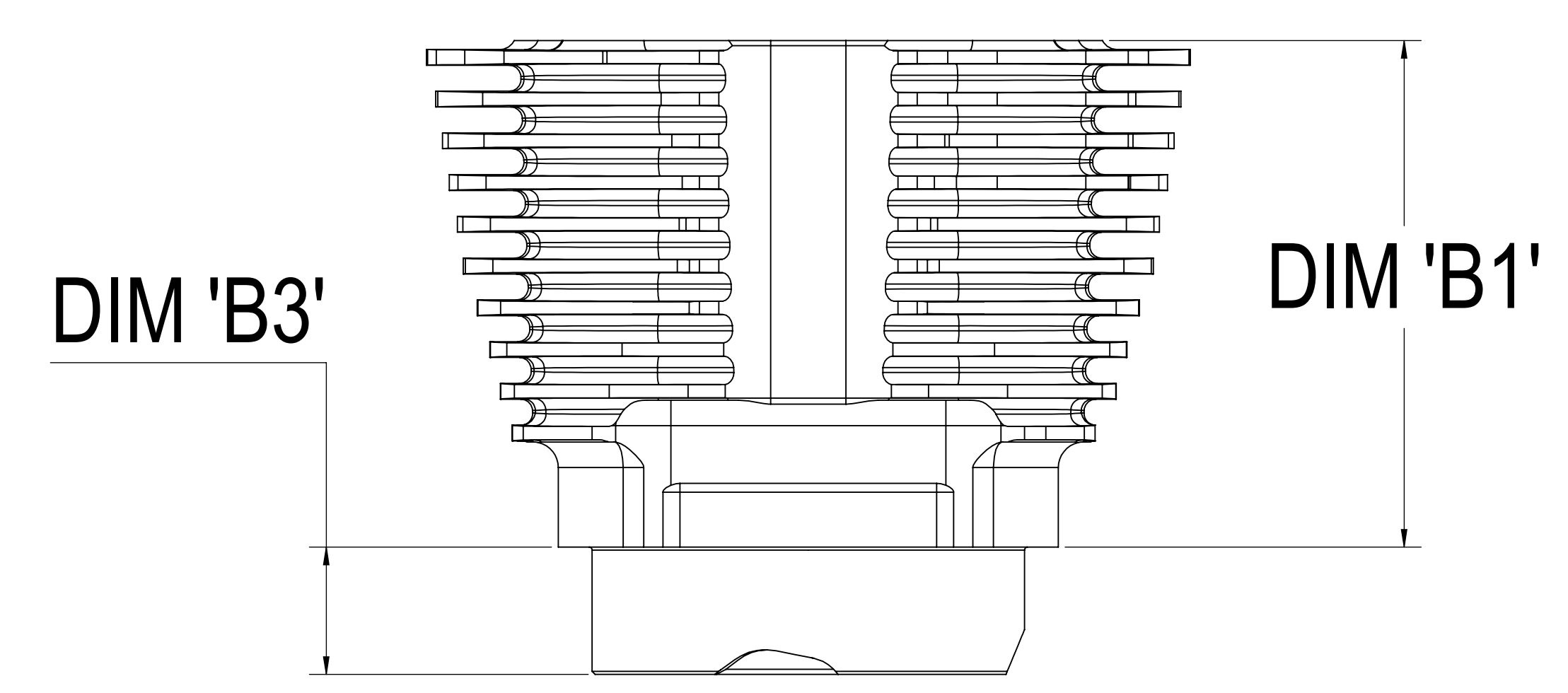
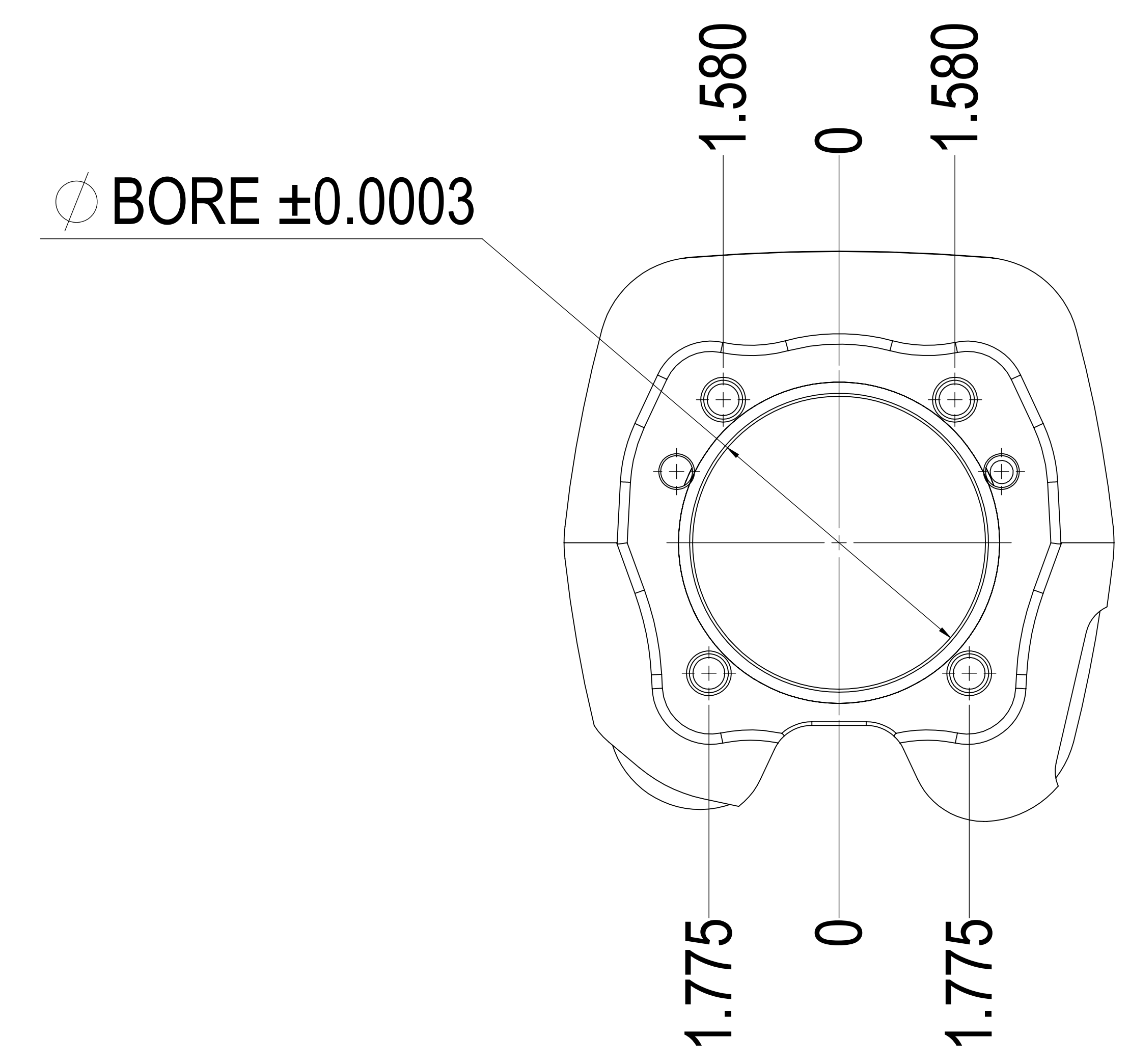
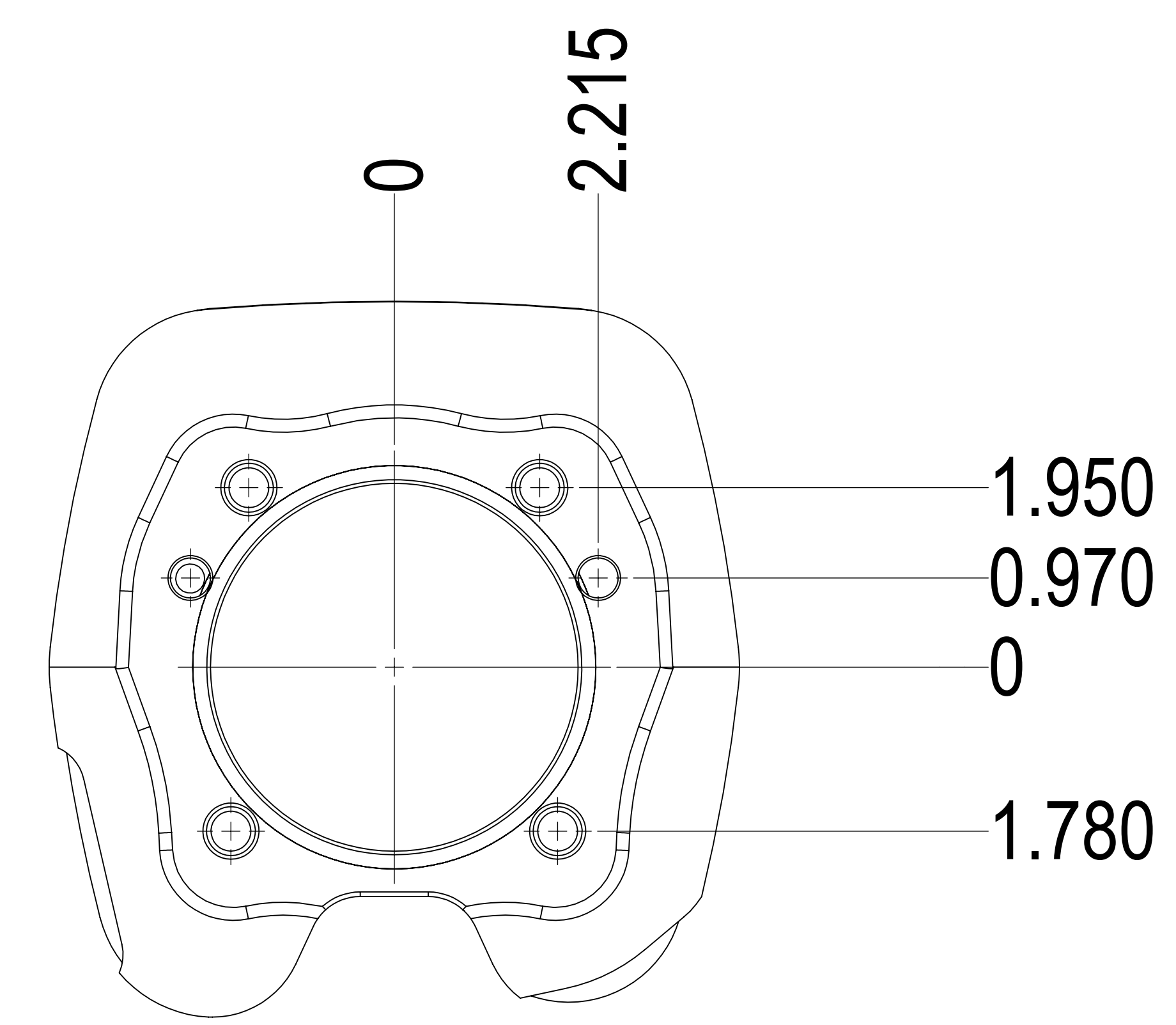
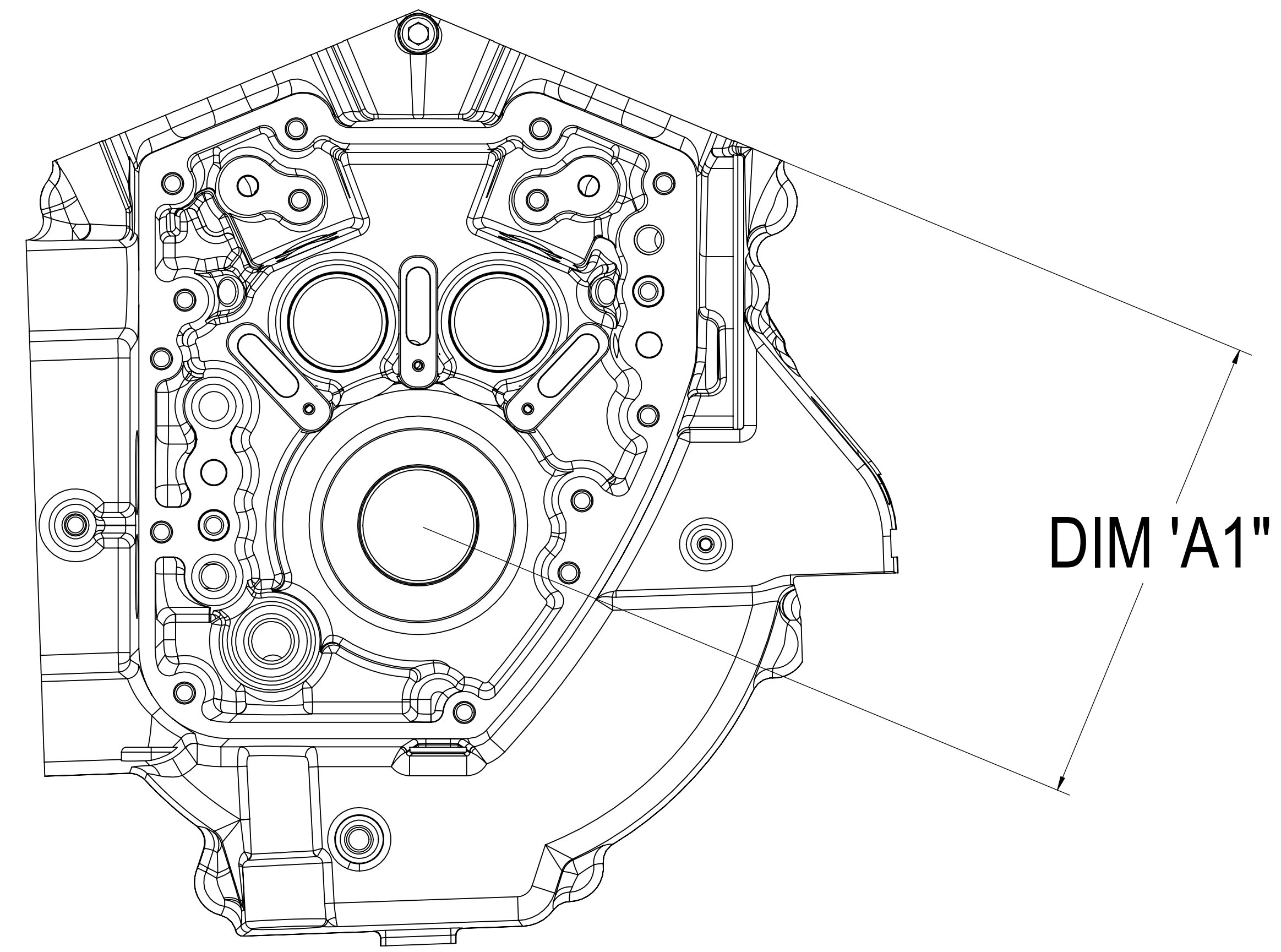
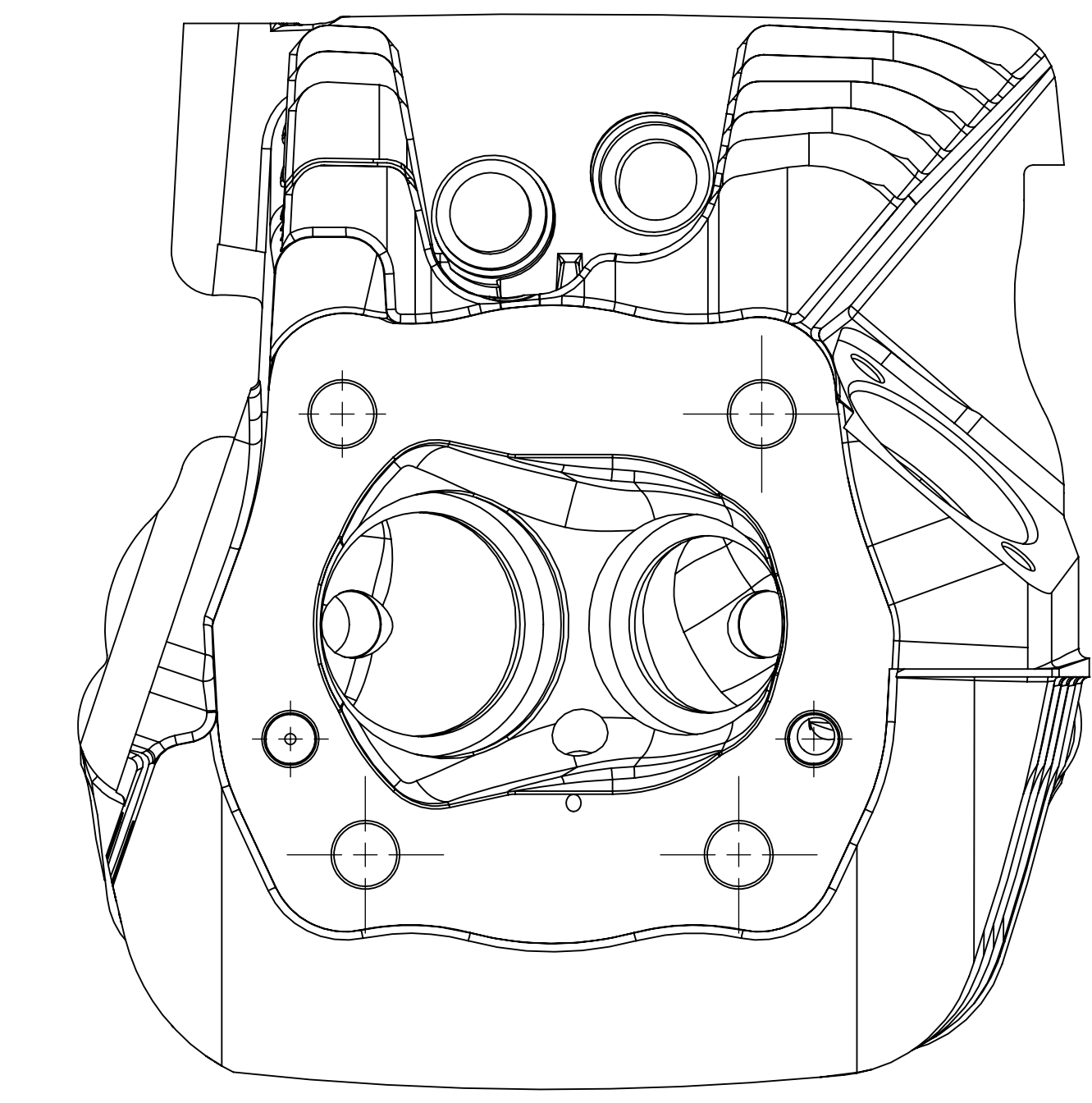
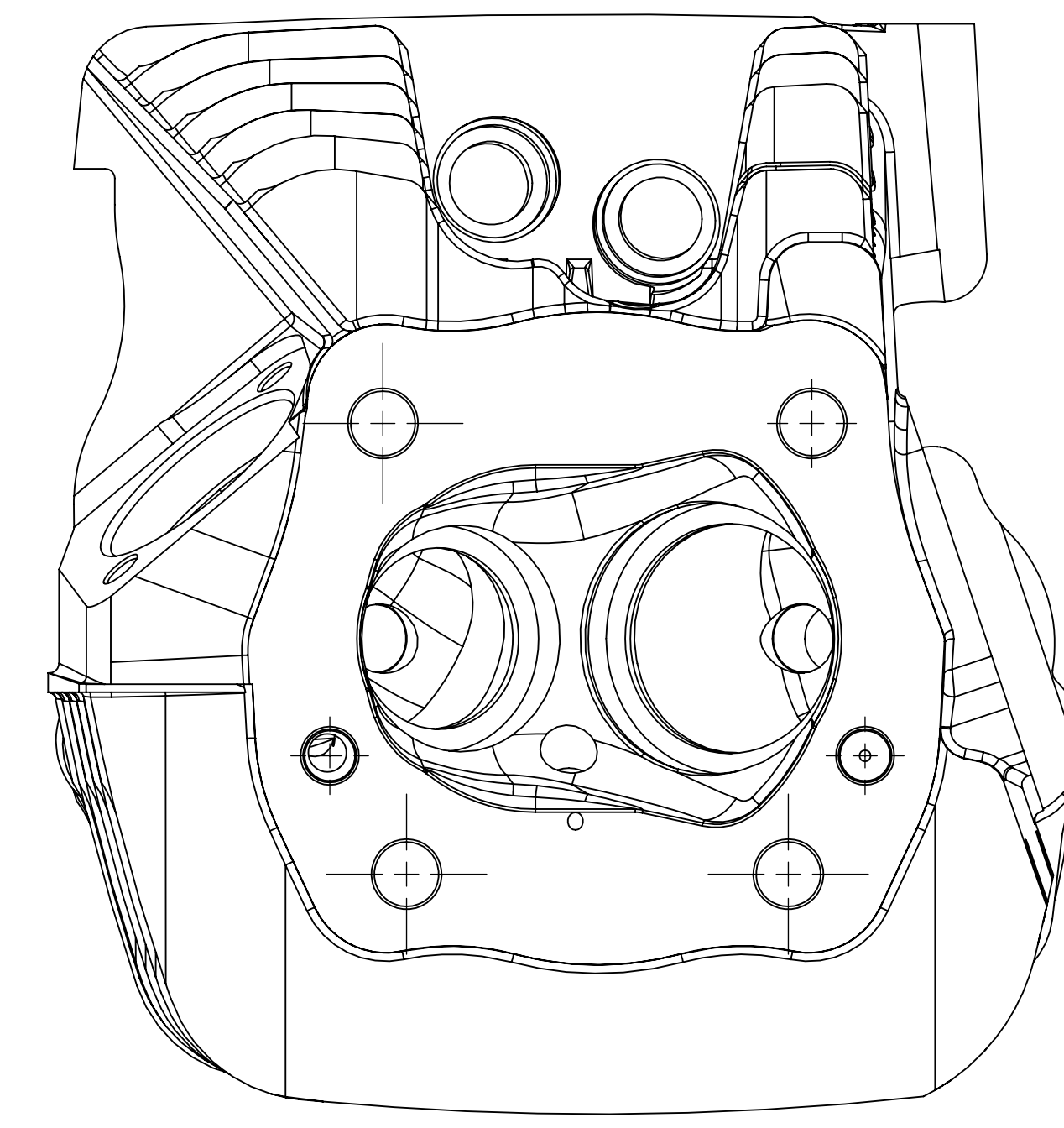
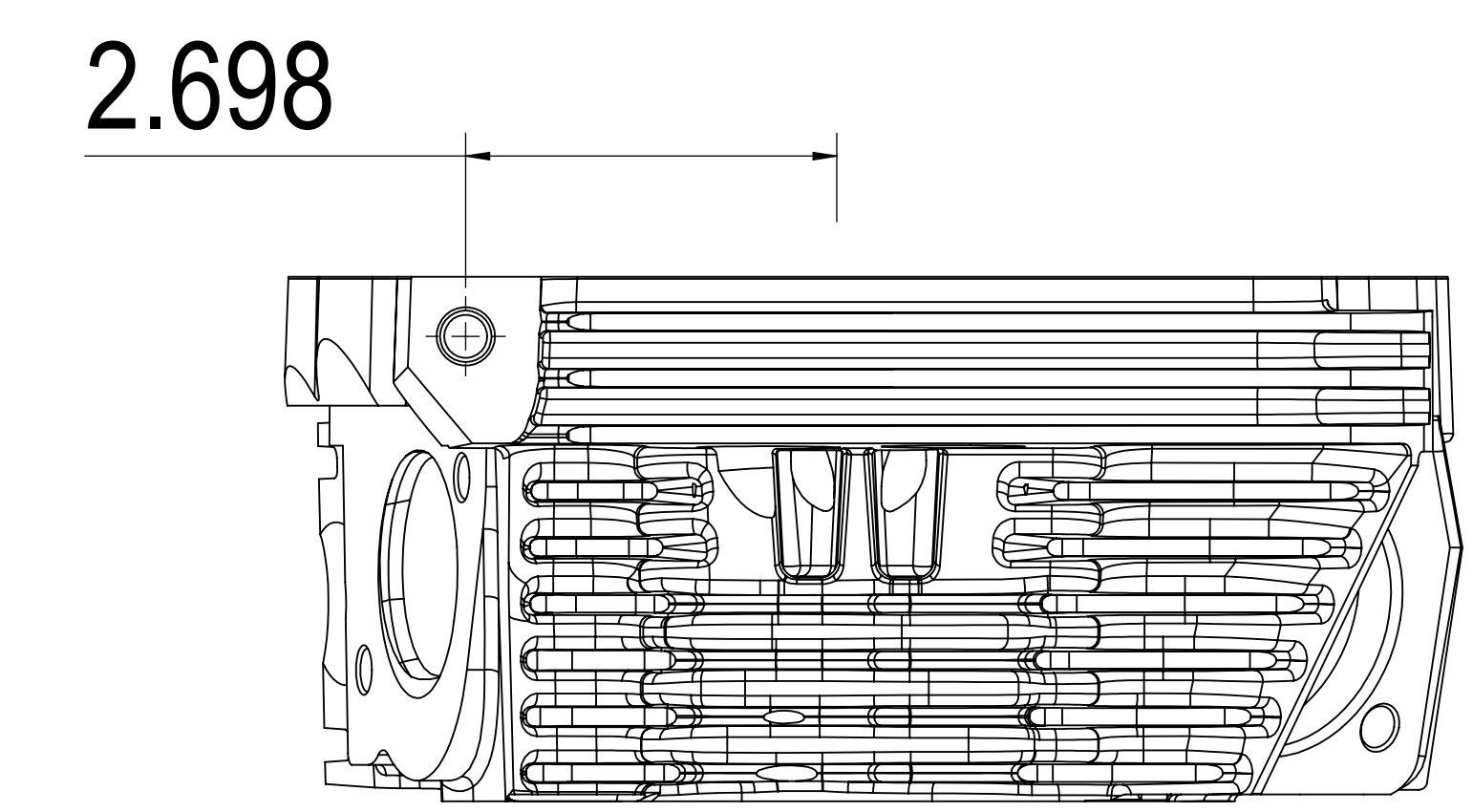
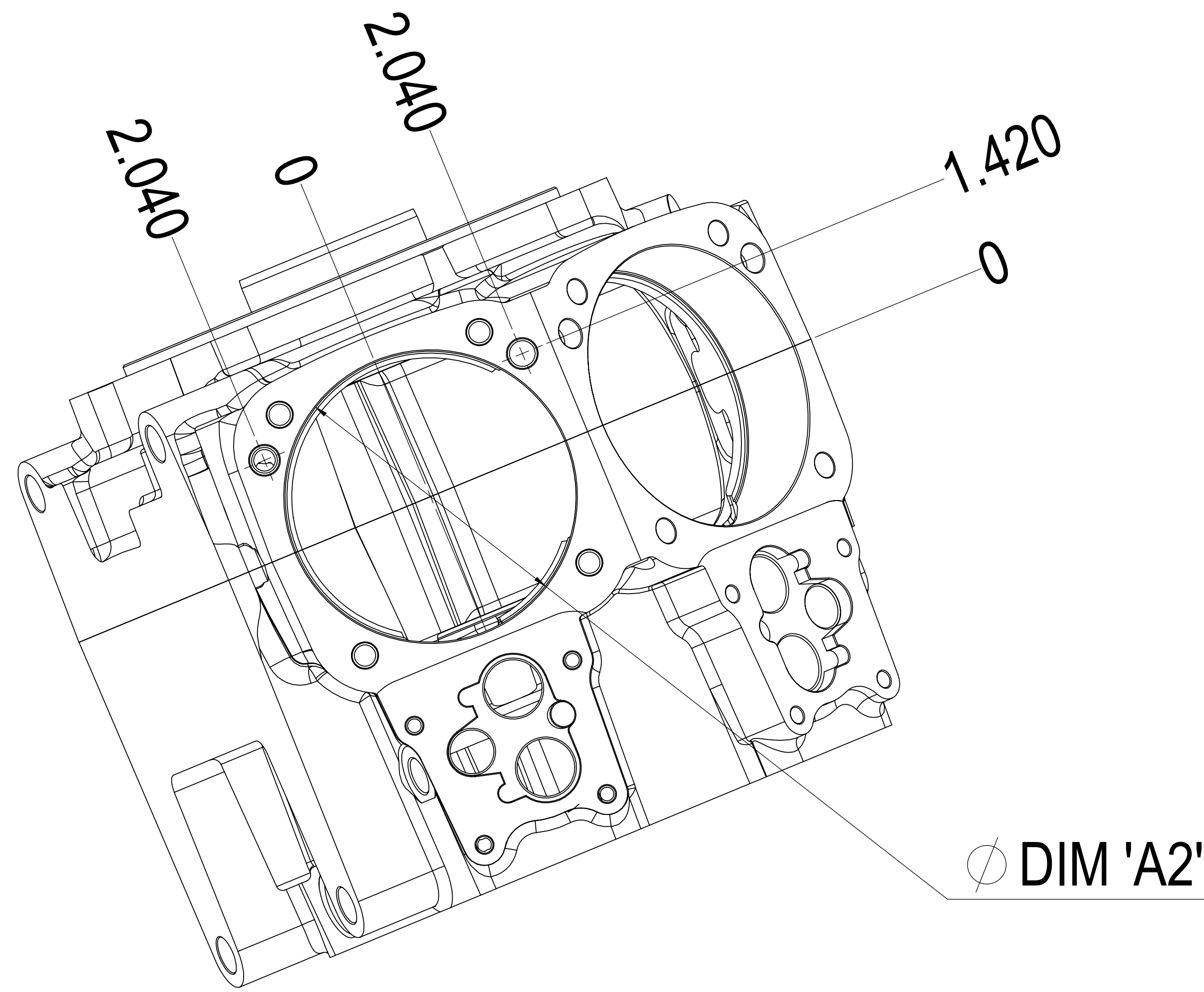


ENGINE C.I.	BORE SIZE	DIM 'A'	DIM 'B'	DIM 'C'	DIM 'D'	DIM 'E'
100	3.875	17.11	17.05	9.96	10.91	6.01
113	4.000	17.17	17.11	9.98	10.94	6.05
124	4.125	17.17	17.11	9.98	10.94	6.05



BORE SIZE	DIM 'A1'	DIM 'A2'	DIM 'B1'	DIM 'B2'	DIM 'B3'	Vc
3.875	6.005	4.065	4.935	4.056	1.250	105
4.000	6.005	4.255	4.975	4.246	1.250	105
4.125	6.005	4.320	4.975	4.310	1.250	105