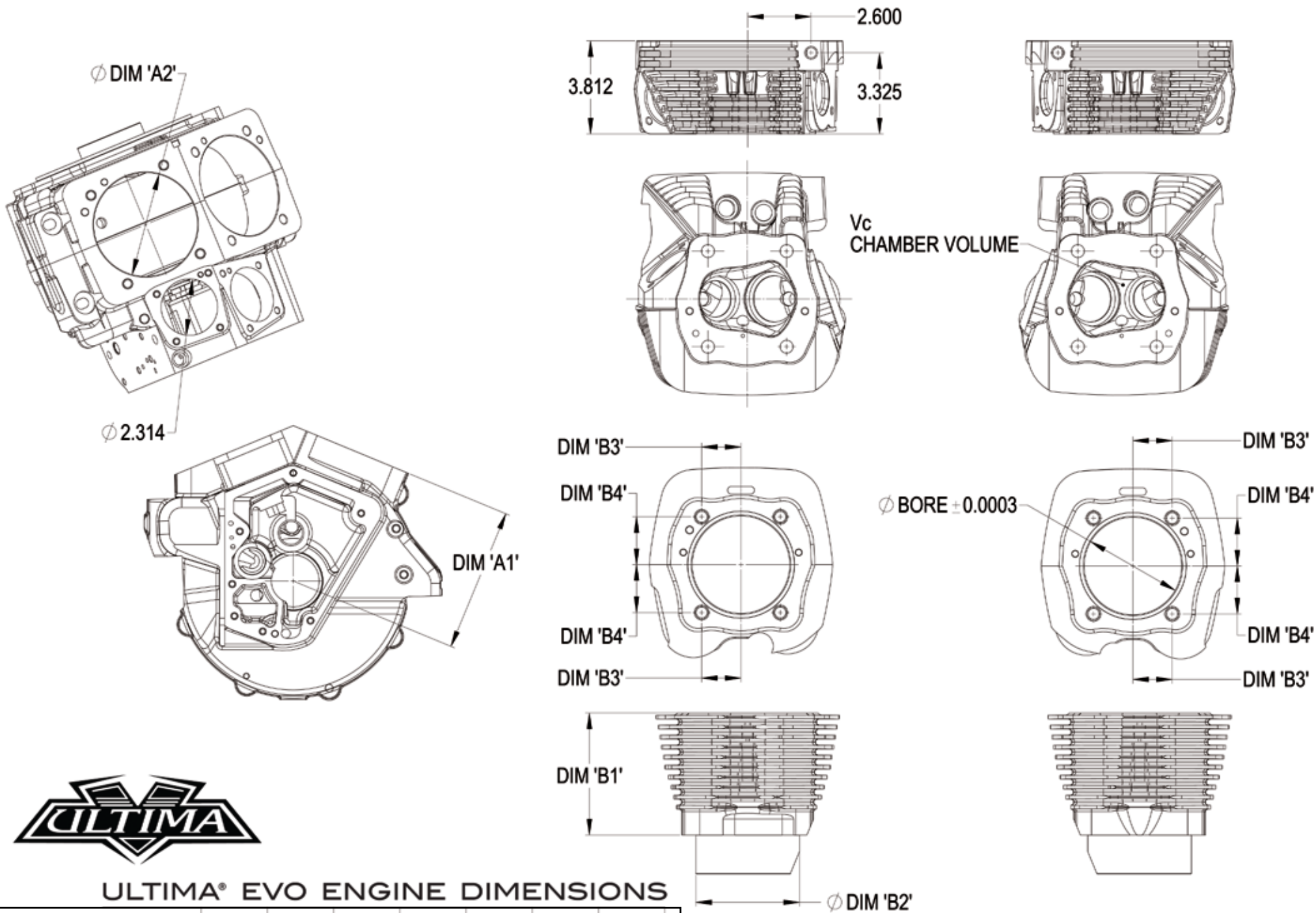


ULTIMA® EVO ENGINE DIMENSIONS

ENGINE C.I.	BORE SIZE	DIM 'A'	DIM 'B'	DIM 'C'	DIM 'D'	DIM 'E'	DIM 'F'	DIM 'G'
100, 107, 113	4.00	17.06	16.96	9.88	10.84	5.92	0.59	16.90
120, 124, 127	4.25	17.21	17.10	9.93	10.90	6.04	0.60	17.06
140	4.40	17.68	17.54	10.09	11.09	6.40	0.61	17.57

Midwest Motorcycle Supply. Copyright 2010, All rights reserved.
 2100 Hwy. Z, P.O. Box 669, Pevely, MO 63070
www.ultimaproducts.com / www.midwestmc.net / midwest@midwestmc.net
 1-800-325-3914 / 636-931-3260 / Canada 866-339-3348



ULTIMA® EVO ENGINE DIMENSIONS

ENGINE C.I.	BORE SIZE	DIM 'A1'	DIM 'A2'	DIM 'B1'	DIM 'B2'	DIM 'B3'	DIM 'B4'	Vc
100, 107, 113	4.00	5.875	4.255	4.995	4.246	1.610	1.958	94
120, 124, 127	4.25	5.975	4.500	5.030	4.491	1.800	2.000	102
140	4.40	6.150	4.635	5.340	4.625	1.800	2.000	110

